

**Compact 525
Electronic
Vertical Freezer**

Model

E150L D FP WH

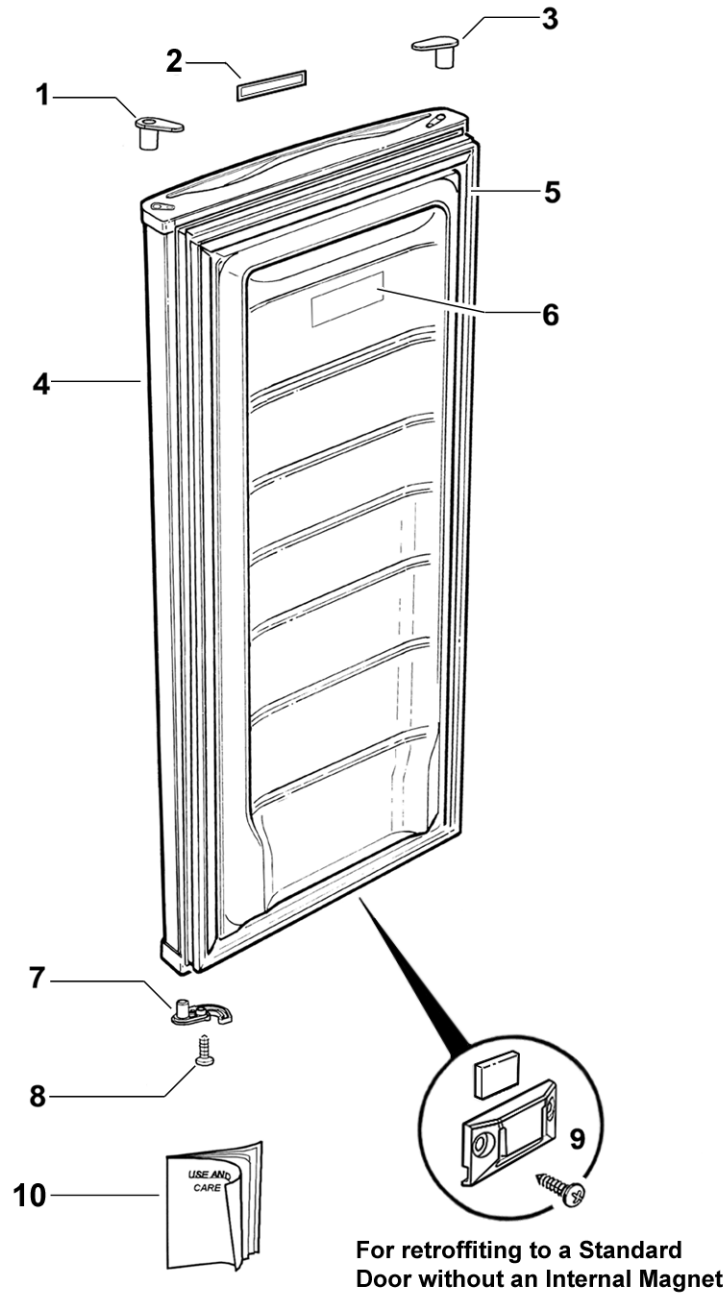
Product Code

22003-A



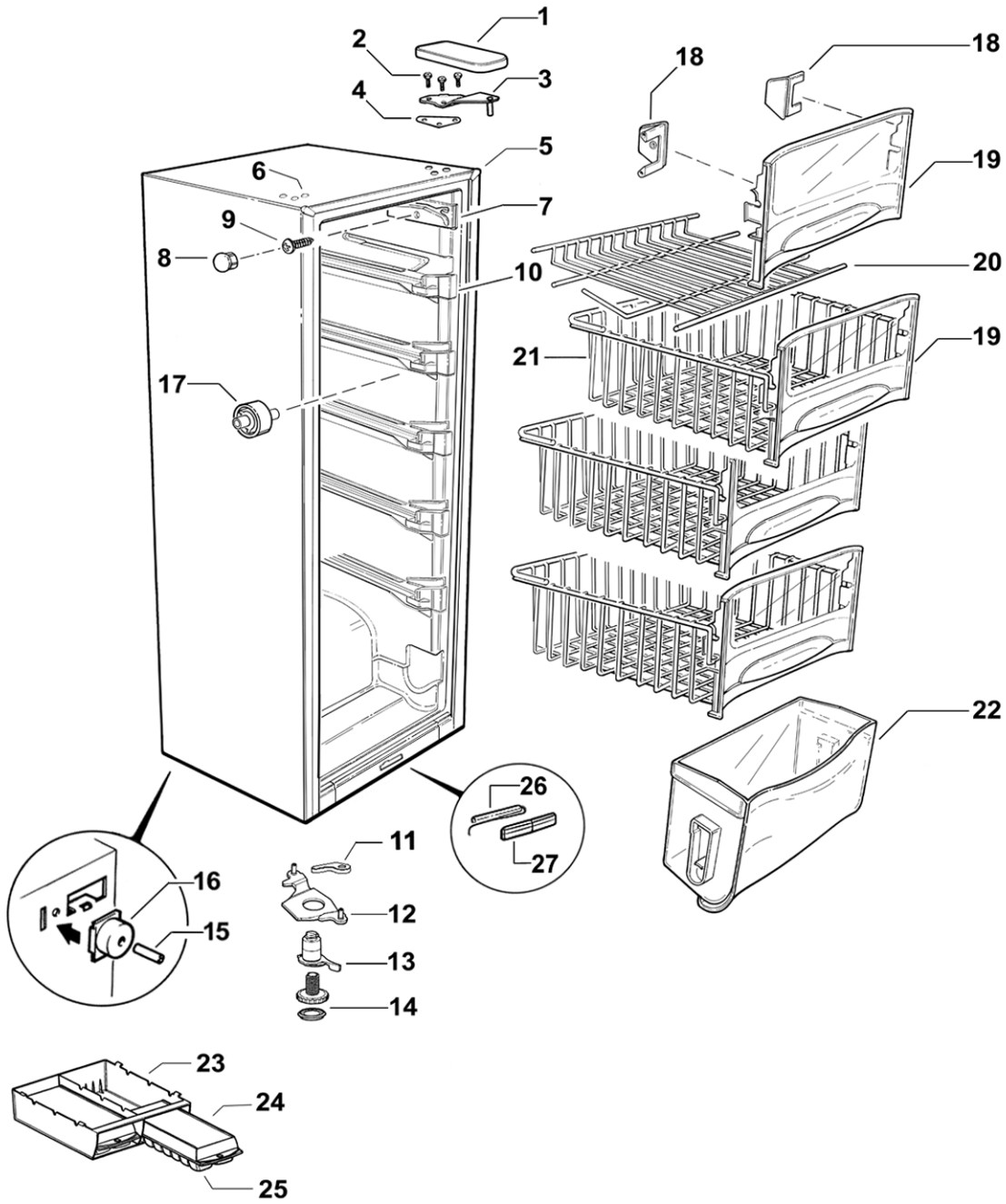
22003-A

DOOR ASSEMBLY



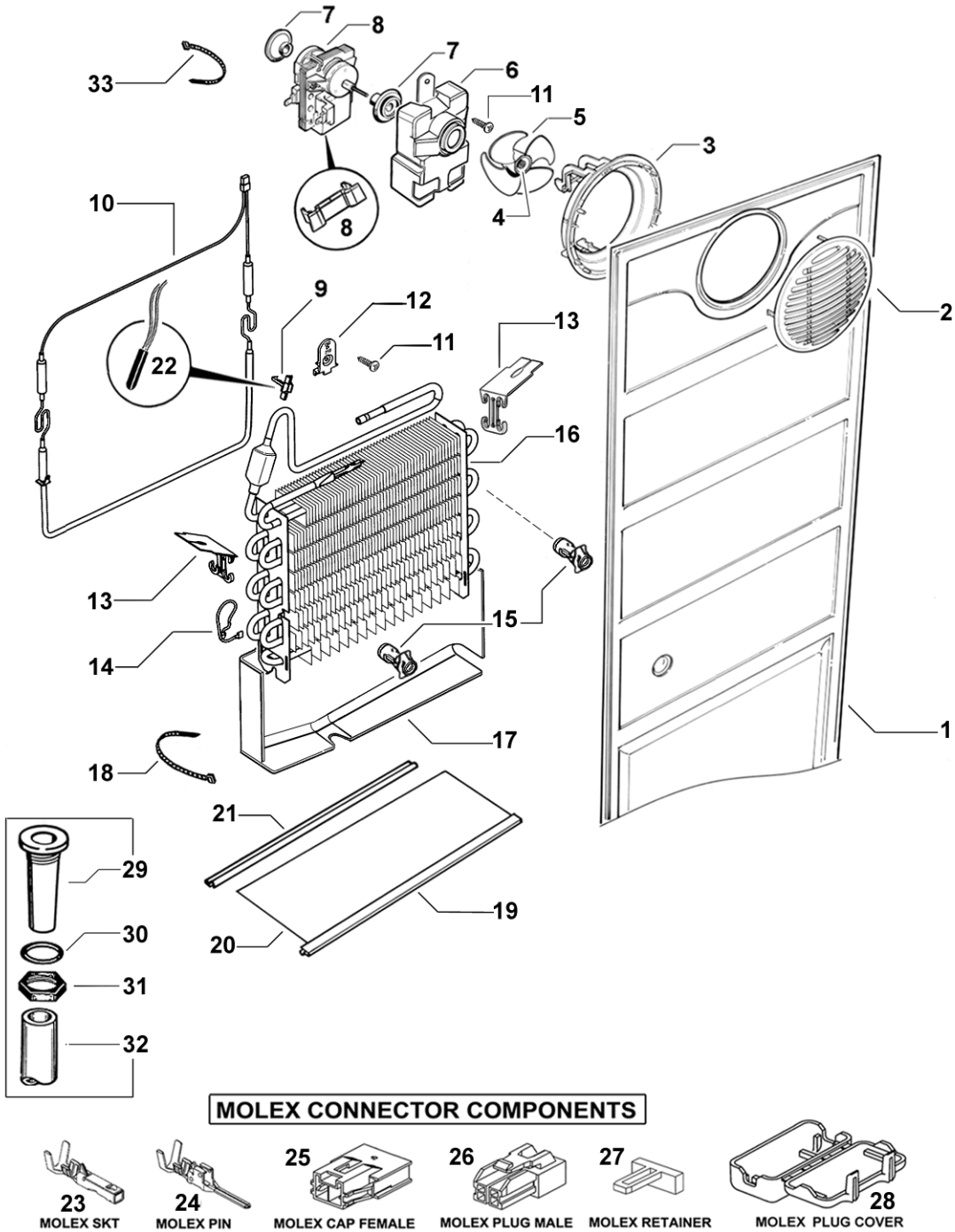
DWG000150

CABINET COMPONENTS



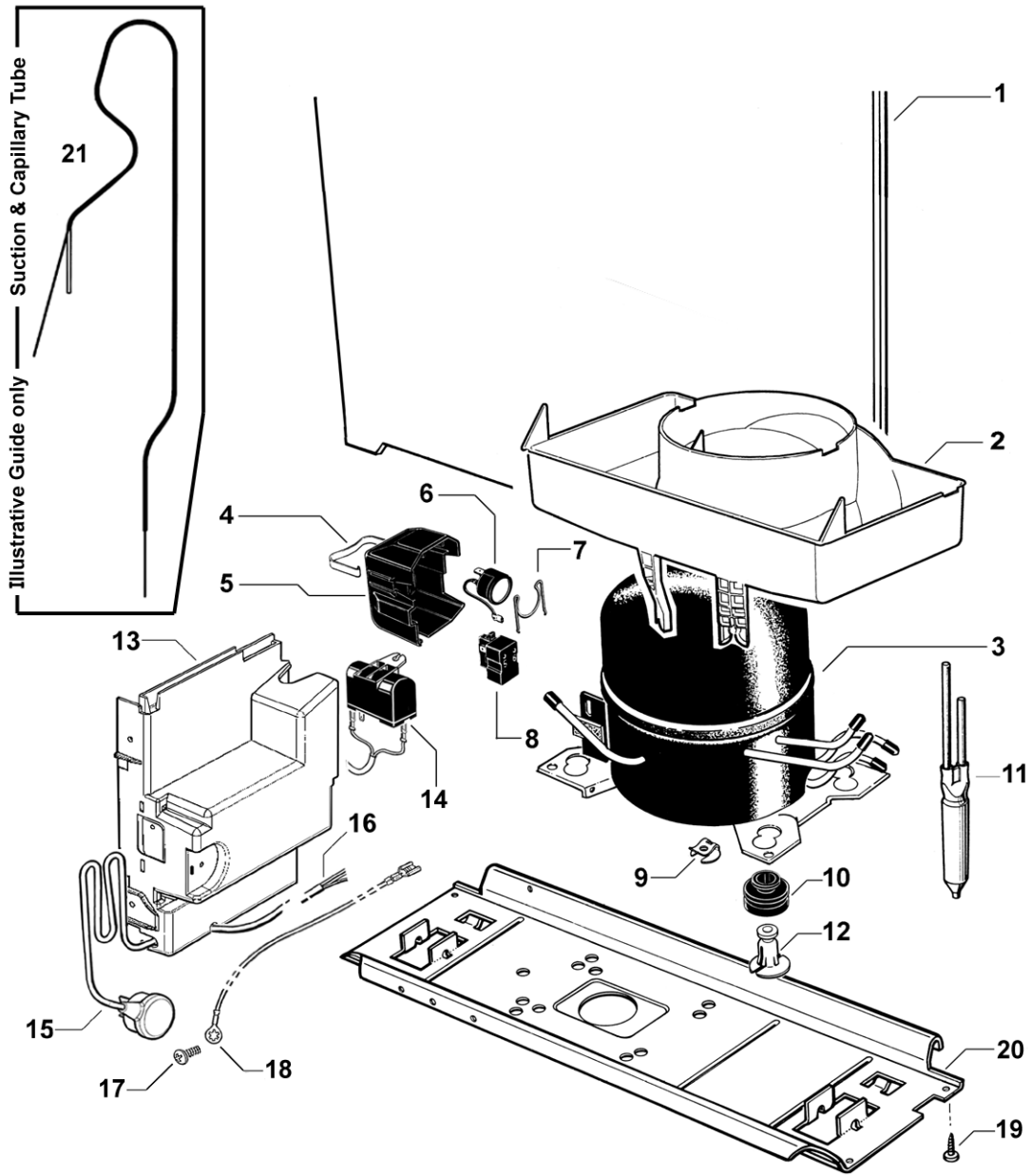
DWG000151

EVAPORATOR, DUCT COVER & CIRCULATION FAN



DWG000152

COMPRESSOR AND CABINET REAR



DWG000153